



COMPANY PROFILE

Pet Feb Solar is an indigenous
renewable energy company

PET FEB INTERNATIONAL COMPANY LIMITED

CONTENT

The Company	Page 3
Mission and Vision Statement	Page 4
Corporate Culture	Page 5
Our Solutions, Products and Services	Page 6
EPC Design and Engineering	Page 17
Energy Management	Page 18
Capacity Development /Renewable Energy training	Page 19
Our Trusted Brands/ Partnerships	Page 20
Our Project Reform	Page 21
Our Project Gallery	Page 22



THE COMPANY



PET FEB INTERNATIONAL COMPANY LIMITED is an indigenous renewable energy company, with international standards of operation and a global focus of redefining electrification through clean and sustainable means, thereby creating wealth for entrepreneurs, contributing to carbon emission reduction, eradicating energy poverty in Nigeria particularly and Africa at large.

OUR OFFERING

We offer technical and entrepreneurial training on solar energy technology for our students, and sell, install, maintain, custom-made, quality and standard, affordable, solar energy / inverter solutions, which cut across all energy demands to rural and urban communities, residential apartments, corporate entities, business entities, cooperative societies and multinationals, with premium service to our customers.



MISSION & VISION STATEMENT

Our Vision

To provide sustainable energy solutions, not just within Nigeria, Africa but a global brand.

Our Mission

Africa No.1 economy decider in values, creating wealth in the emerging solar markets.

SERVICES

As the world around us evolves, so does the science of customer-servicology. We at Pet Feb Solar understand that personalized customer experience heavily shapes the impact we have on our clients. We also pride ourselves in striving to always explore and identify money saving opportunities for our clients.



SALES

We supply a wide range of panels, inverters, energy storage systems and all peripheral componentry associated with solar power.



INSTALLATION

Our installation team is headed by Master Electricians with the skills and experience to deliver a quality installation relevant to your individual situation.



OFF GRID SOLAR POWER

We take care of all off the grid logistics, including

- ✓ Application connect to the off grid plant.
- ✓ Installation of import/export meter.
- ✓ 3rd party, independent inspection to ensure installation confirms to the relevant standards.

CORPORATE CULTURE



Our Value

Our business activities are guided by and rooted in these principles, as in the conduct of all officers and employee

Integrity

Quality

Innovation

Sustainability

Professionalism

we are driven by our share value and commitment. these element express our strength and represent the bases of how we work and deliver solutions to our clients and stakeholders

Integrity

We believe this is the basis for a good and successful relationship, which is one of our core values at Pet-Feb Int'l Co. Ltd, that our clients and team members have a strong foundation of trust in each other to foster healthy and long lasting relationship.

Ethical Conduct

We believe this is the cornerstone of good business. We are committed to honesty and high morals in all dealings, both internally and externally.

OUR SOLUTIONS



LED Solar Street Light



SolarLanterns



Solar Water Pump



Solar home systems



Rechargeable Bulbs



Solar Components

Our aftersales support is like no other, we have technical teams that have over 6years combined experience in off-grid solar systems. These teams can handle any issues that might arise. We source all our products from reputable suppliers who honour warranties and provide quality and standard products. We offer 1 year workmanship warranty.

Pet - Feb Solar is an energy partner that guarantees Standard quality, competency and reliability.

OUR COMMITMENT TO OUR CLIENTS

Provide expert personalised advice to allow all our clients to make an educated decision on whether renewable energy will be of benefit to them, for now, and the future.

WE INSTALL COUNTRY WIDE

We install Country wide, Call or visit us to discuss the benefits of renewable energy. Residential, Commercial and Rural systems.

OUR SOLUTIONS



UTILITY SCALE SOLAR POWER

We have the extensive experience in utility scale solar; including both ground-mounted systems and large roof-top installations.

Our ground-mounted experience extends across all kinds of terrain, including complex sites with high degree of inclination and demanding ground conditions. With our in-house engineering capacity, we provide optimized solar home system designs for each project – taking account of specific site and local ambient conditions.

Pet Feb solar power plants utilize well proven equipment from tier-1 suppliers. We have extensive experience in application of both string and centralized inverters, while we offer both fixed installations and single-axis tracker systems depending on project requirements.

All installations are carried out under the supervision of PET - FEB solar experienced project engineers.

HYBRID INVERTER SYSTEMS

Hybrid Inverter power generation systems combine solar power generation with energy storage technologies, to enable a reliable supply of high quality electricity, either to the network or to off-grid consumers such as small remote homes. These solutions enable the user to significantly reduce the cost of expensive fuel, such as diesel, while ensuring that the power plant output is fully controllable to match the required demand profile.

ELECTRICAL INFRASTRUCTURE

We ensures that your solar project is designed and delivered with all necessary electrical equipment and infrastructure to ensure a reliable integration with the electricity grid.

We have the capacity and experience to provide full turn-key electrical Installation, with the latest protection and automation systems.

Our system installation experience extends from medium voltage up to 100kV, to cover all possible off grid / grid integration schemes.

ENERGY STORAGE

We provide large-scale battery based energy storage solutions, both integrated with solar PV plant and stand-alone. Apart from the ability to store and deliver energy on demand, the responsiveness of battery systems makes them ideal to provide network operators with innovative solutions for frequency response which help to stabilize electricity. Energy storage systems are generally supplied in modular designs, which are easily scalable and are able to deliver multi-MW output. In order to successfully apply battery technology in utility scale applications we apply sophisticated control concepts with automated battery management systems.

OUR PRODUCTS

SOLAR LED / STREET LIGHT



SOLAR LED STREET LIGHT

ZS Solar LED Street light



Control mode	Color temperature	Lumen	Material	Lifetime	Dimension	Weight
IC control	6500-7000K	1250LM	Steel	30000 hours	275*113*50	0.92KG

Solar panel spec.	Solar panel voltage	Watt	Lighting time	Battery spec.	Battery capacity	Street light watt
Polycrystalline Silicon Solar Panel	6V/10W	50W	13H	LFP32650	3.2V 15A	50V/12W

SOLAR LED FLOOD LIGHTS

SFL Solar LED Flood lights



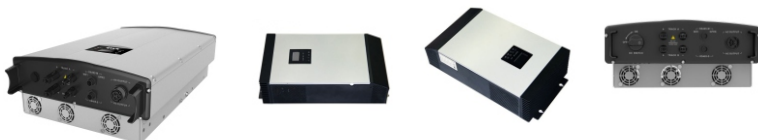
- Remote control
- Auto mode
- 3hours
- 6hours
- 12hours



Item No.	Power	Solar Power	Battery	charging time	Lighting time	Lumen	Beam Angel	Dimension
WW-SY-SFL-20W0305	20W	3W	5A	5H	13H	310LM	120°	210 *160 *51
WW-SY-SFL-30W0610	30W	6W	10A	5H	13H	435LM	120°	251 *200 *70
WW-SY-SFL-50W0815	50W	8W	15A	5H	13H	564LM	120°	277 *225 *75
WW-SY-SFL-100W1220	100W	12W	20A	5H	13H	736LM	120°	325 *263 *88



INVERTER & CONTROLLER



SOLAR PANELS



From 80W - 700W



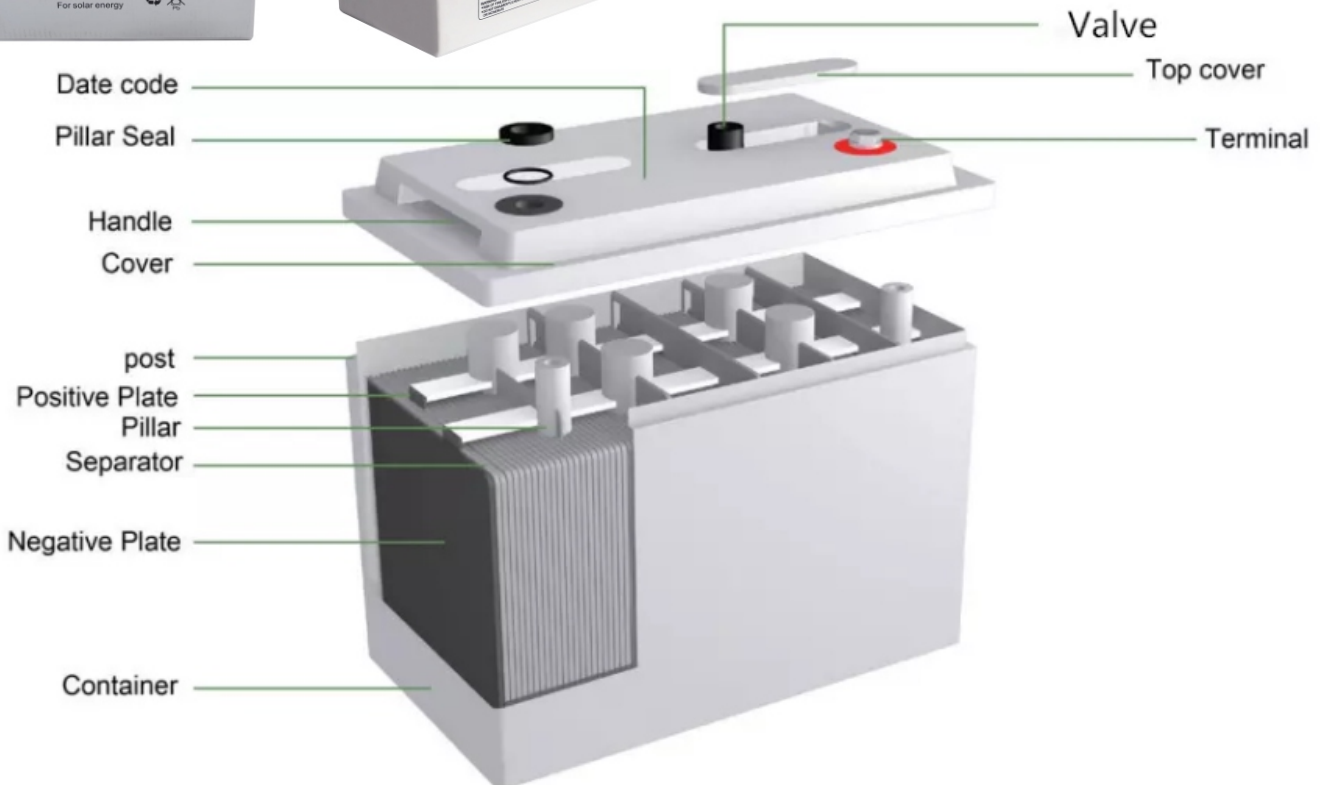
Polycrystalline Module



Monocrystalline Module



SOLAR BATTERIES



OUR PRODUCTS

SOLAR HOME SYSTEM



SOLAR LED KITS



OUR PRODUCTS

RECHARGEABLE LED BULB



SOLAR WATER PUMP



Our Services



- ✓ Hybrid Inverter System Sizing and Installation.
- ✓ UPS systems sizing , design and deployment.
- ✓ Solar water supply systems design and installation.
- ✓ Solar street lighting projects, design and execution.
- ✓ Supply & installation of Solar Water Heating Systems.
- ✓ Mini Grid / Off grid Project Developer.
- ✓ Installation, Maintenance.
- ✓ Entrepreneurship training in the field of renewable energy.
- ✓ Clean Energy Consultant.
- ✓ EPC Project Developer.
- ✓ O&M Services
- ✓ Technical and entrepreneurship training in the field of solar energy.



KITSET SYSTEMS

Designed to suit your requirements.

Kitsets can include:

- Solar PV Panels
- Inverter
- Batteries
- Mounting Kits
- DC Cabling
- AC & DC Isolators
- Labels and MC4's
- Freight free Nationwide (T&C's apply)





Engineering Procurement and Construction

We have the experience and capacity to design, build and support solar powered projects from inception, throughout the development and construction stages and for the complete lifetime of the solar system.



Design & Engineering

We offer the technical know how of our solution

DEVELOPMENT

Based on our substantial project development experience, we selectively target project development opportunities.

We aim to add value through a collaborative approach with local and international developers.

- Site identification and assessment
- Energy yield studies & optimization
- Electricity grid interconnections
- Planning and building documentation
- Project Development agreements
- Greenfield Development
- Project Pipeline Acquisition

ENGINEERING, PROCUREMENT & CONSTRUCTION

As a leading Nigerian contractor providing complete turnkey solar power solutions for utility scale PV projects. We offer both full EPC scope including panel supply, as well as EPC for balance of system (BoS) according to client needs.

- Full turn-key EPC responsibility
- Optimized in-house engineering & design
- Procurement strategy based on approved tier-1 suppliers
- Energy storage bank and hybrid solutions
- Electrical connection and load interconnections and separation

OPERATION & MAINTENANCE

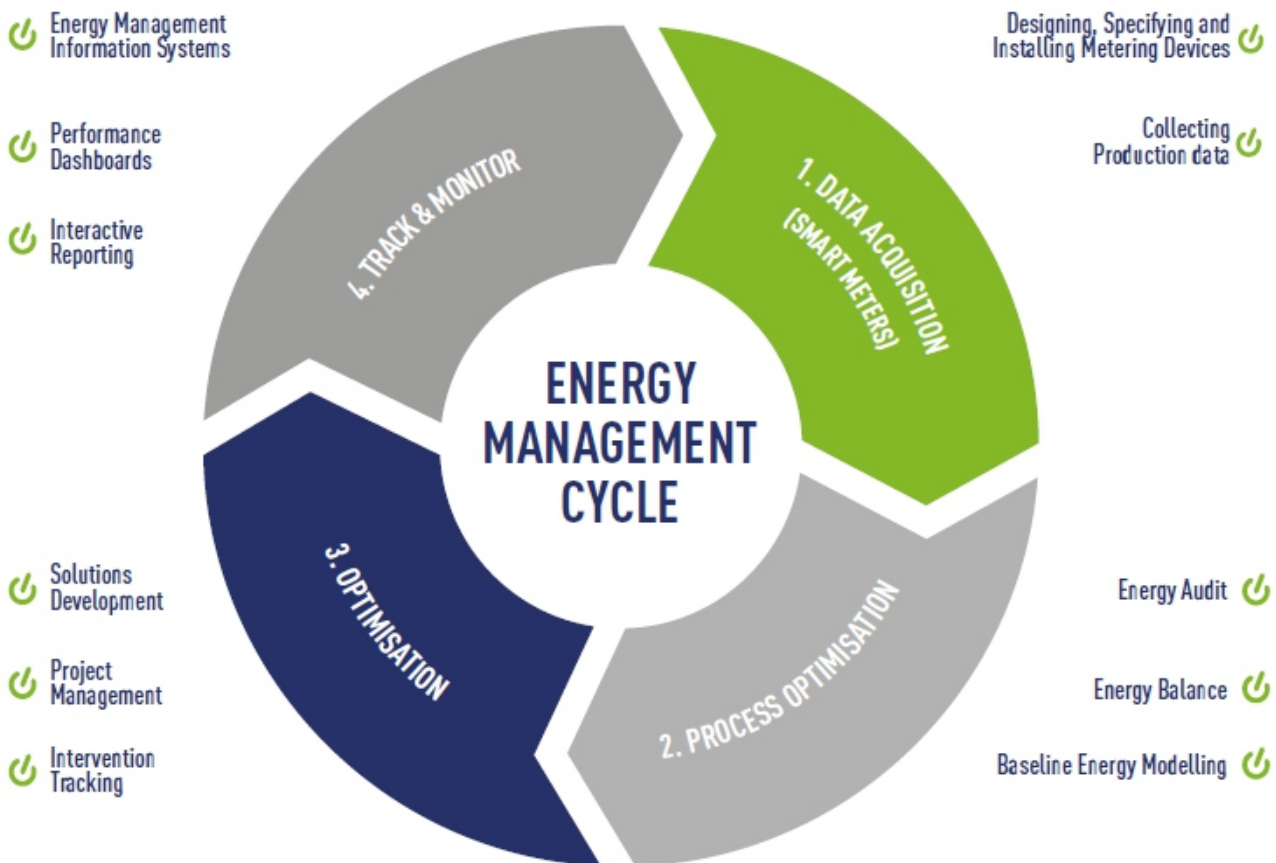
We are experts in O&M for solar power systems, offering a full range of plant monitoring, preventive and corrective maintenance services backed up by appropriate contractual guarantees depending on customer requirements.

- Preventive maintenance programs
- Spare parts management
- Corrective maintenance
- 24/7 remote plant monitoring
- Plant availability guarantees
- Information management and reporting

Energy Management



is the process of understanding & optimizing 'when & how' energy is consumed. We do this by:



SMART / PERFORMANCE / SOLUTIONS

Capacity Development (Training)

Our training services include support for the development of specialized renewable energy technologies, water Resources technical capacities, and the Management skills needed to run a projects/facilities efficiently. Disseminating knowledge and expertise we have gathered is one of our core strategies. Besides classroom sessions, our training covers field visits and 100% practical demonstrations. We also help develop training curriculum within the Renewable energy & Energy efficiency sector.

We also offer technical and entrepreneurial training on solar energy technology for our students, and sell, install, maintain, custom-made, quality, affordable, solar energy and inverter solutions, which cut across all energy demands to rural and urban communities, residential apartments, corporate entities, business entities, cooperative societies and multinationals, with premium service to our customers.

Energy Through Education



Our Trusted Brands/ Partnerships



Make life full of hope





Our Project Reform

PET-FEB Solar is a Nigerian EPC and O&M contractor for utility-scale solar power projects. Building on its extensive experience of Small - medium - large scale solar projects, the company is well positioned to meet the challenges of the rapidly growing global solar market.

With a strong in-house engineering capability, perfect scope and unmatched responsiveness, **Pet-Feb Solar** designs and delivers high quality solar projects for its clients nation wide



Our Clients

PET- FEB Solar is strongly focused on serving major prospective clients in the solar power sector, with a customer portfolio which includes some of the leading renewables investors in Nigeria.

We aim to develop long-term partnerships with our clients, supporting their growth by consistently delivering quality projects nationwide.



Solar Power Light for residential homes



UPS system installation for homes & Offices

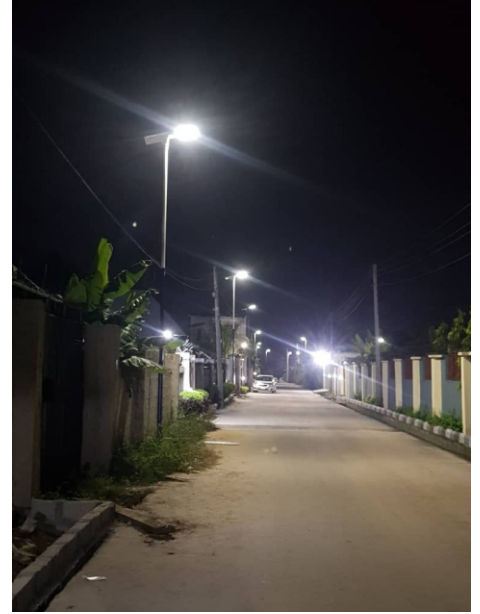


Rooftop Solar powered system for Homes & Offices





Project Gallery





PET-FEB INTERNATIONAL COMPANY LIMITED is fully qualified to work together with governments, parastatals, commercial entities, and funding agencies to design and manage holistic, sustainable, and widely beneficial clean energy and water solutions.

Our key directors and managers are comprised of Nigerian experts. We have a pragmatic approach that focuses on using the best components for each part of a solution and have a range of partnerships to facilitate this.

Above all, our philosophy is to deliver sustainable renewable energy solutions within the Solar Energy for productive uses and to the highest professional standards.

Please do contact us via our official phone numbers (+234 (0) 8135854054 /+234) or email (info@petfeb.com) or via www.petfeb.com.

We look forward to taking our collaboration to the Next Level!

Yours Respectfully

PETRA SOLOMON
Managing Director



Pet-Feb

Building your visions, Creating reality

Corporate OFFICE

House 01, Vintage Estate,
Ikate Elegushi Ojulari Road, Off, Kusenla Rd,
Lekki Penninsula II, Lekki, Lagos State.



Plot 23 Binabi Street GRA 1, Port Harcourt
Rivers State. Nigeria



Tel: +234 (0) 8135854054



Email: info@petfeb.com



**100%**
RENEWABLES

